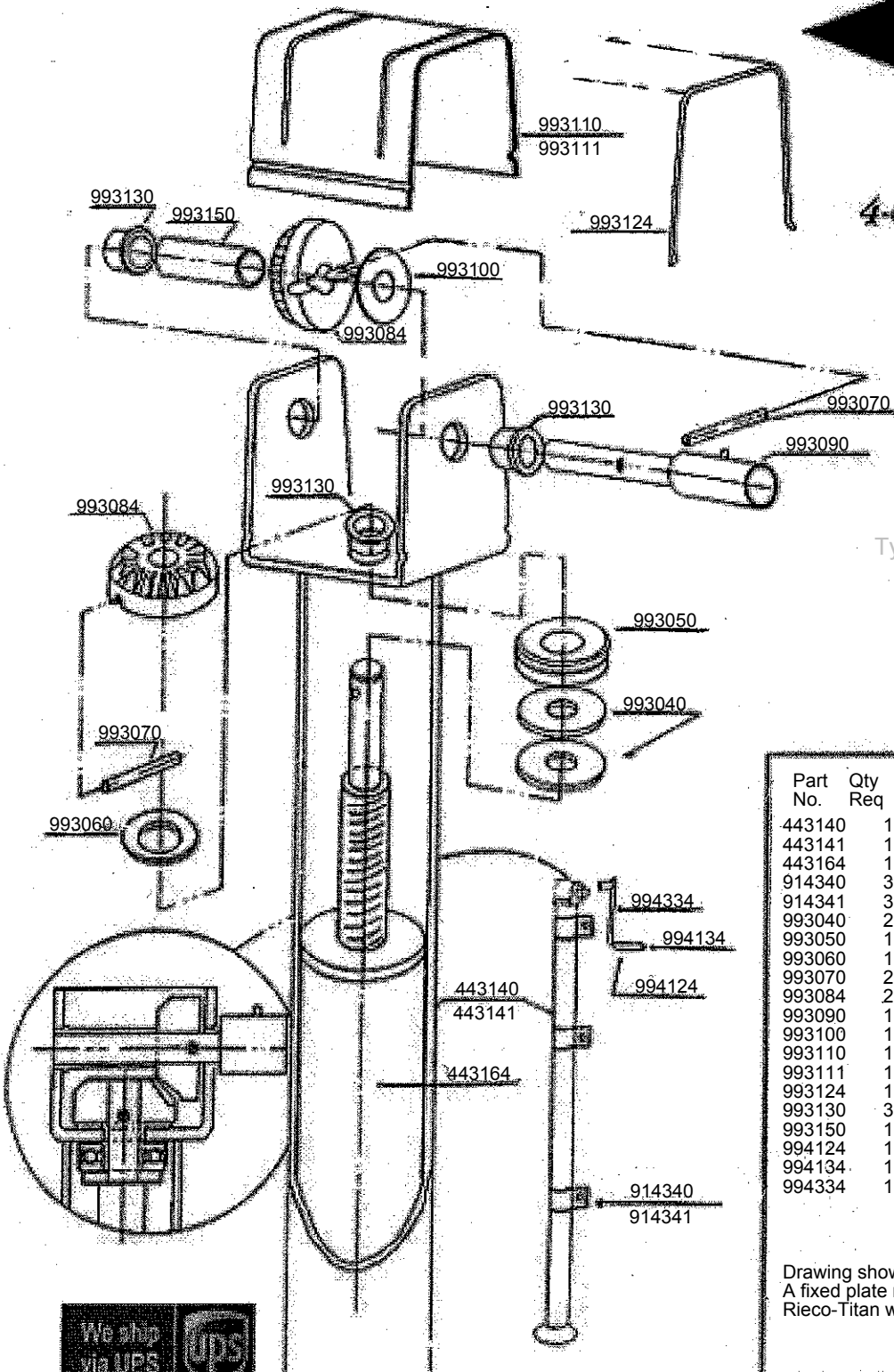


# RIECO-TITAN CAMPER JACK

## PARTS LIST



(MECHANICAL)  
4-Corner Camper Jack  
2000 lbs.



Type text here

Part No.	Qty Req	Description
443140	1	Outer Tube (C Clamp), Zinc
443141	1	Outer Tube (C Clamp), White
443164	1	Inner Tube Assembly
914340	3	C Clamp, Zinc
914341	3	C Clamp, White
993040	2	Thrust Bearing Washer
993050	1	Thrust Bearing
993060	1	Bottom Gear Washer
993070	2	Gear Drive Pin
993084	2	Beveled Gear
993090	1	Gear Shaft
993100	1	Side Gear Washer
993110	1	Gear Box Cover, Zinc
993111	1	Gear Box Cover, White
993124	1	Gear Box Cover Retaining Wire
993130	3	Nylon Bushing
993150	1	Spacer Tube
994124	1	Plastic Crank Spool
994134	1	End Stop Press Nut
994334	1	Crankhandle

Drawing shows C Clamp mounting option.  
A fixed plate mounting option is available, please call Rieco-Titan with any questions regarding part numbers.

